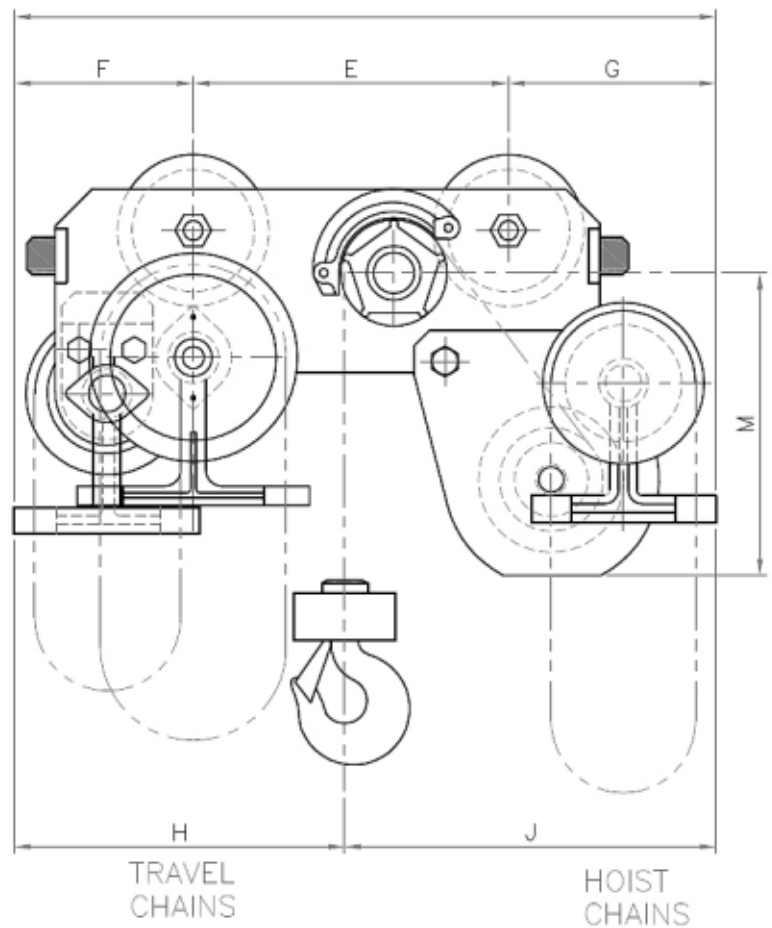
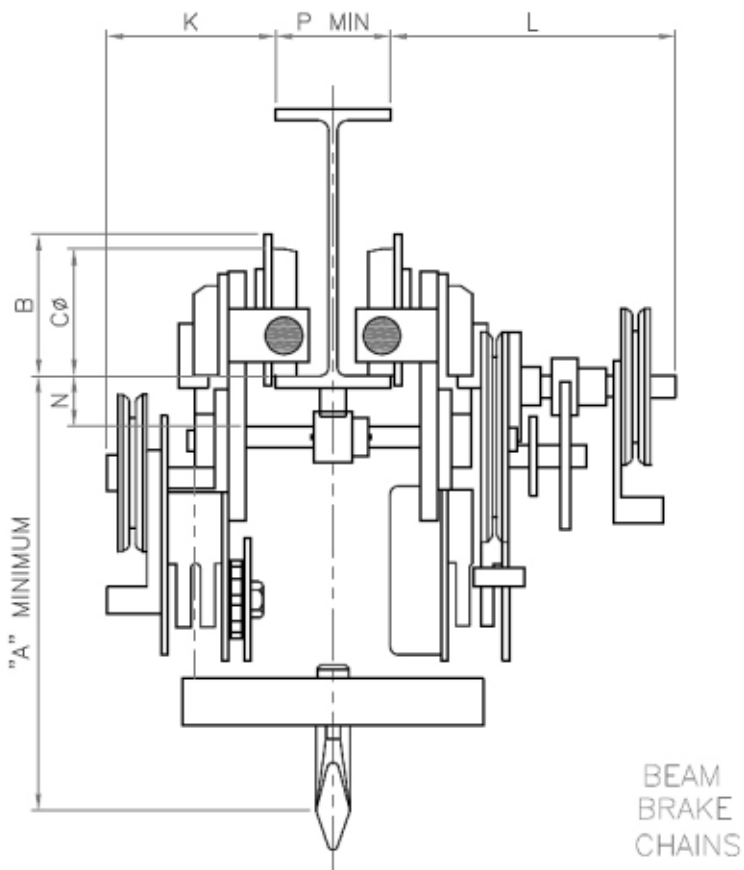




"...the only port of call you'll ever need..."

Low Headroom Hoists



Sparkproof

Larger sizes available on request.

Options: Push Travel | Gear Travel | Rack & Pinion Driven



"...the only port of call you'll ever need..."

Low Headroom Hoists



Technical Schematics :

Capacity (Te)	0.5	1	2	3	4	5	6	8	10	12
A	175	155	130	230	240	260	310	335	325	415
B	120	120	180	180	180	180	180	230	230	230
C	112	112	140	140	140	140	140	174	174	174
D	555	575	710	710	790	777	780	887	985	985
E	275	275	345	345	380	380	355	430	460	460
F	70	90	130	130	135	135	180	207	275	275
G	210	210	235	235	275	262	245	250	250	250
H	205	225	300	300	320	318	350	417	500	500
J	350	350	410	410	470	459	430	470	485	485
K	100	100	185	185	215	215	230	270	275	275
L	230	250	260	260	270	270	270	330	340	340
M	225	225	295	295	350	343	300	355	365	365
N	25	25	32	32	35	35	35	45	55	55
P	90	90	100	100	100	100	100	120	120	120
No. Of Falls	2	2	2	2	2	4	4	4	6	6
Effort to Lift	11 Kg	22 kg	24 Kg	25 Kg	26 kg	26 kg	26 kg	27 Kg	28 Kg	28 Kg
Weight 3m H.O.L	110 Kg	110 Kg	190 Kg	190 Kg	250 Kg	240 Kg	240 Kg	430 Kg	485 Kg	490 Kg

Larger sizes available on request.

Options: Push Travel | Gear Travel | Rack & Pinion Driven

www.liftingandmarine.com